



**KNIKMOPS**  
ENGINEERED TO PERFORM

# KM 170

TECHNICAL SPECIFICATION

**GEBROEDERS  
GEENS**

POWERFULL INNOVATIONS

Gebroeders Geens NV

Industriezone De Kluis  
Hinnenboomstraat 5  
2320 Hoogstraten, België

T. +32 (0)3 314 79 30  
T. +32 (0)3 297 29 30

info@knikmops.be  
www.knikmops.be

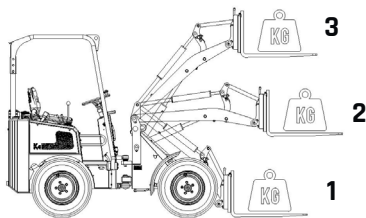
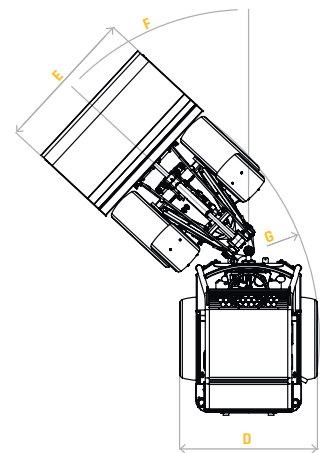
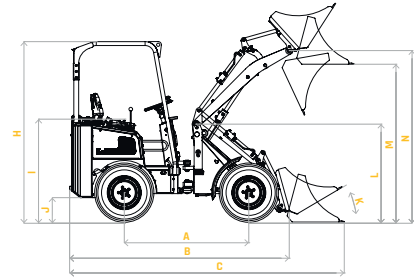


# KM 170

**KM170**

**KM170TE**

mm	Wheelbase	A	1770	1850
mm	Chassis length	B	2990	3240
mm	Total length with shovel bucket	C	3800	4075
mm	Overall width	D	1335/1500	1335/1500
mm	Shovel bucket width	E	1400/1500	1400/1500
°	Maximum turning angle	F	50	50
mm	Turning radius outside edge	G	2760	2760
mm	Rollbar height/ROPS FOPS height	H	2300/2380	2300/2380
mm	Seat height	I	1340	1340
mm	Ground clearance	J	335	335
°	Tipping-in angle from ground surface	K	30	30
mm	Arm hinge height	L	1335	1365
mm	Transfer height	M	2230	2490/3140
mm	Shovel bucket rotation point, max	N	2405	2660/3310
L	Fuel tank capacity		45	45
	Diesel engine type (Kubota)		V1505	V1505
kw/pk	Engine power		19/25	19/25
	Number of cylinders		3	3
	Drive hydraulics		plungerpomp	plungerpomp
	Wheeldrive		plungermotor	plungermotor
L/min	Output of work hydraulics		33	33
bar	Pressure of work hydraulics		180	180
kg	Kerbweight without attachment		1750	2150
kg	Lifting force		1400	1300
kg	Breakout force		1250	940
km/h	Topspeed		18	18



	<b>1</b>	<b>2</b>	<b>3</b>
KM 170 not articulated	1320	1060	790
KM 170 TE not articulated Telescopic arm in	1110	1020	735
KM 170 TE not articulated Telescopic arm out	790	635	545

Data is subject to change - Gebroeders Geens nv (11-2022)

