



KNIKMOPS
ENGINEERED TO PERFORM

KM 95

TECHNICAL SPECIFICATION

**GEBROEDERS
GEENS**
POWERFULL INNOVATIONS

Gebroeders Geens NV
Industriezone De Kluis
Hinnenboomstraat 5
2320 Hoogstraten, België

T: +32 (0)3 314 79 30
T: +32 (0)3 297 29 30

info@knikmops.be
www.knikmops.be

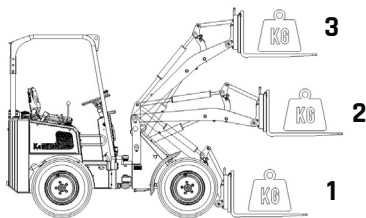
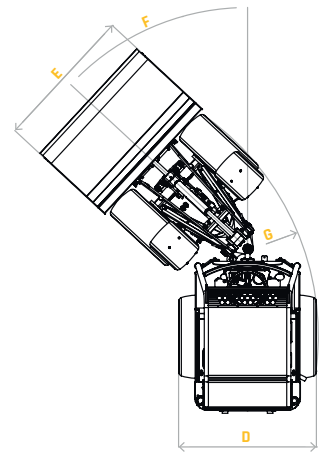
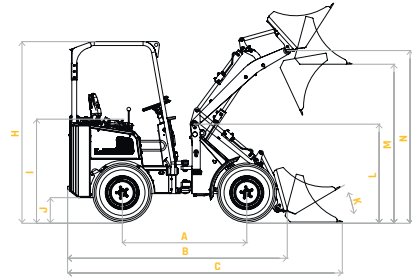


KM 95

KM95

KM95H

		A	KM95	KM95H
mm	Wheelbase	A	1445	1495
mm	Chassis length	B	2400	2435
mm	Total length with shovel bucket	C	2940	3030
mm	Overall width	D	930/1180	930/1180
mm	Shovel bucket width	E	960/1250	960/1250
°	Maximum turning angle	F	45	45
mm	Turning radius outside edge	G	2380	2380
mm	Rollbar height/ROPS FOPS height	H	2225/2250	2225/2250
mm	Seat height	I	1125	1125
mm	Ground clearance	J	245	245
°	Tipping-in angle from ground surface	K	32	30
mm	Arm hinge height	L	1165	1415
mm	Transfer height	M	1775	2300
mm	Shovel bucket rotation point, max	N	2030	2550
L	Fuel tank capacity		33	33
	Diesel engine type (Yanmar)		3TNV76	3TNV76
kw/pk	Engine power		19/25	19/25
	Number of cylinders		3	3
	Drive hydraulics		plungerpomp	plungerpomp
	Wheeldrive		plungermotor	plungermotor
L/min	Output of work hydraulics		33	33
bar	Pressure of work hydraulics		180	180
kg	Kerbweight without attachment		1000	1130
kg	Lifting force		700	600
kg	Breakout force		640	600
km/h	Topspeed		18	18



	1	2	3
KM 95 not articulated	910	730	490
KM 95H not articulated	800	600	400

Data is subject to change - Gebroeders Geens nv (11-2021)

